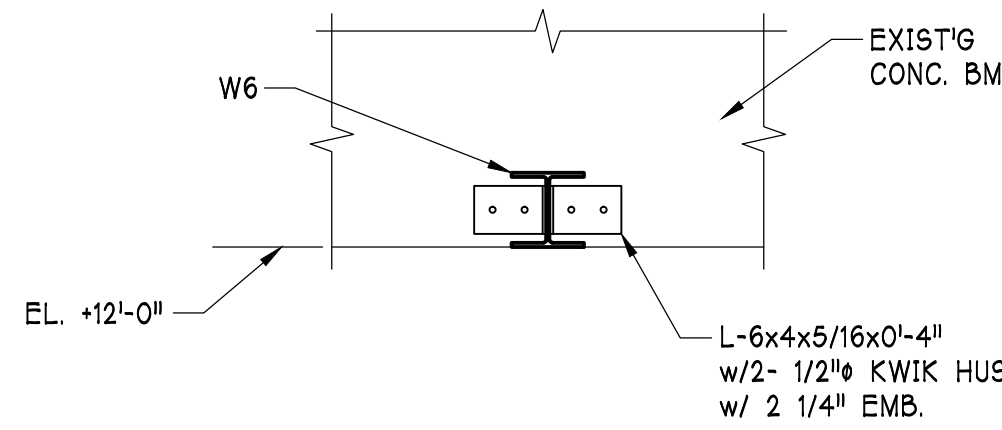


SECTION

SCALE: 3/4" = 1'-0"

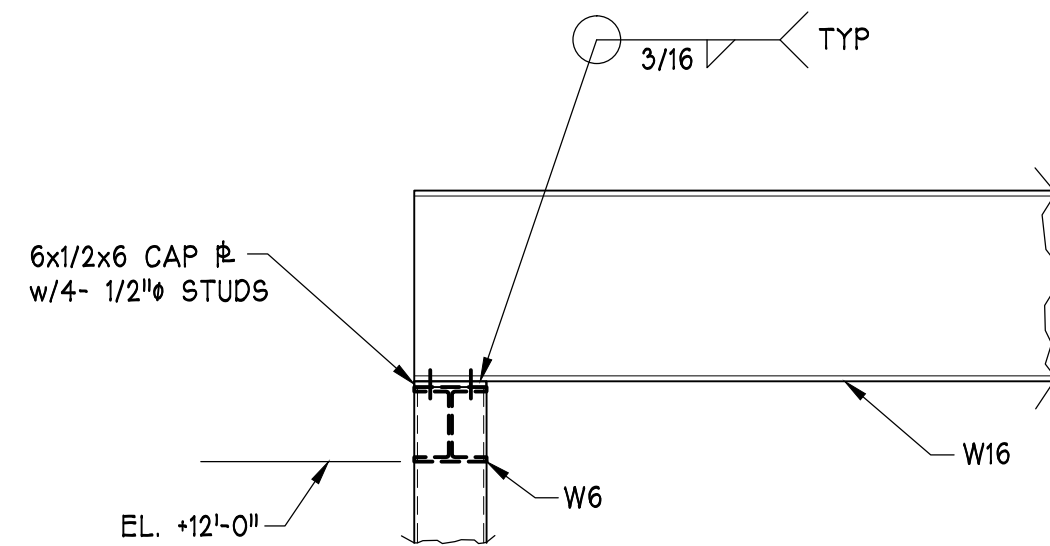
1
S2



SECTION

SCALE: 3/4" = 1'-0"

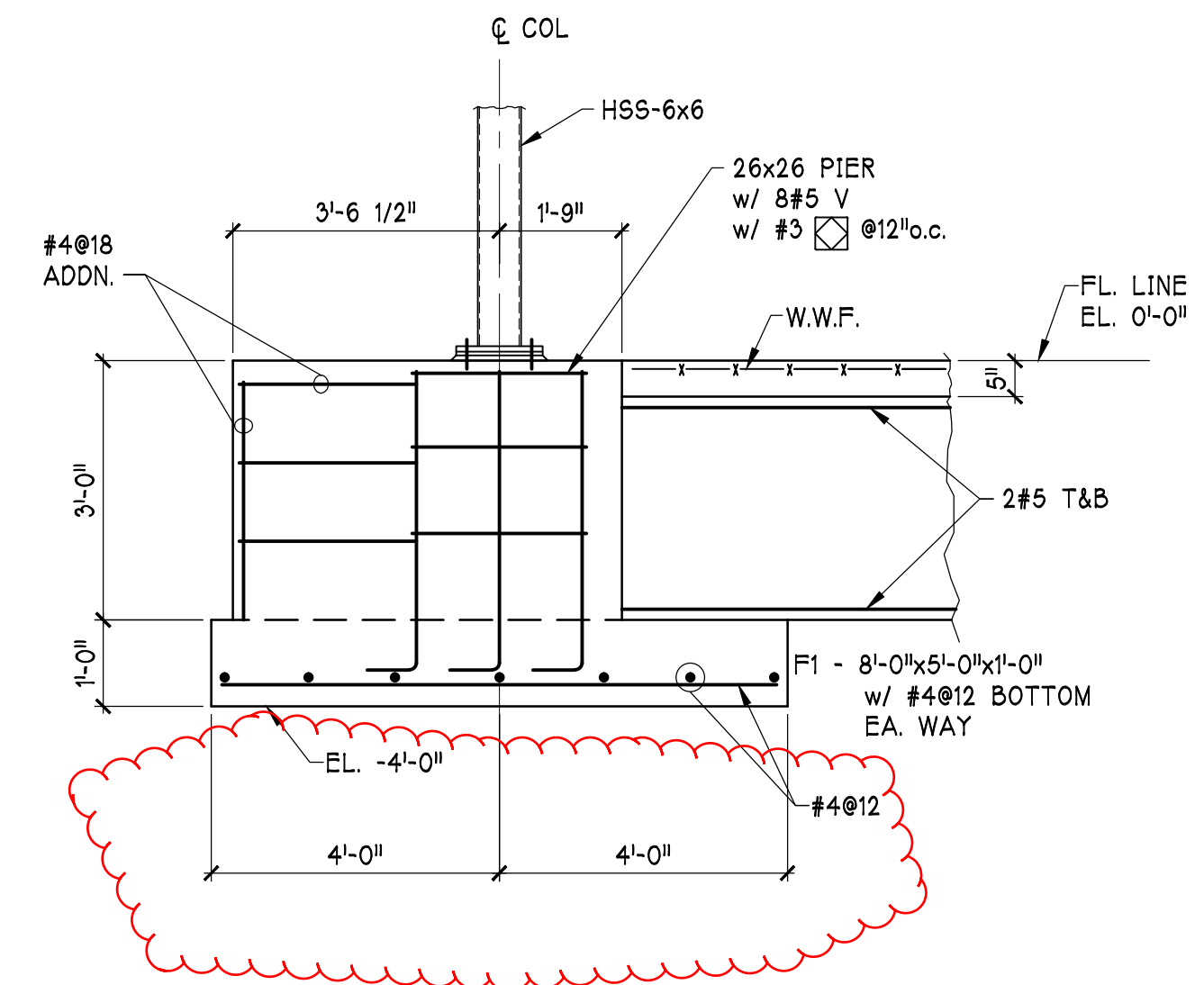
2
S2



SECTION

SCALE: 3/4" = 1'-0"

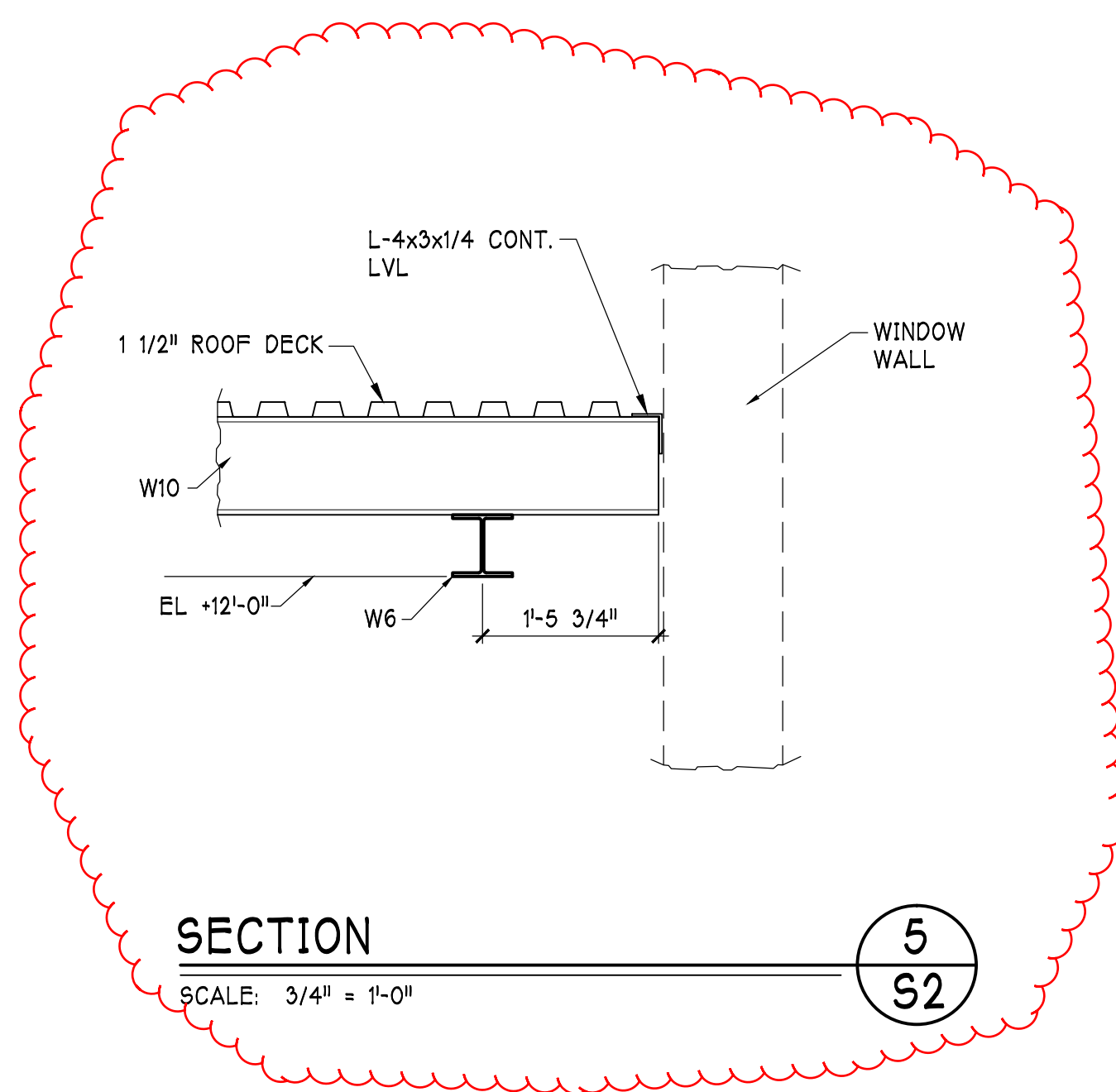
3
S2



SECTION

SCALE: 1/2" = 1'-0"

4
S2



SECTION

SCALE: 3/4" = 1'-0"

5
S2

NO.	DATE	DESCRIPTION
1	10.06.17	BACKGROUND
2	3.29.18	CO-ORDINATION

A. WILLIAM SEEGERS ARCHITECTS

Chicago, Illinois 60661
Phone 312-454-0099 Fax 1-312-454-1456
E-mail: AWSeegers@aol.com

Drawing Title:
1st Floor Upgrade Repairs
2101 S. Michigan Avenue
Chicago, IL

DESCRIPTION:
ENTRY LOBBY SECTIONS

JOB NO. 1701
DRAWN BY: BCC
CHECKED BY: SL
DATE: 1-26-18

SHEET NO.

S2.00



3-29-18